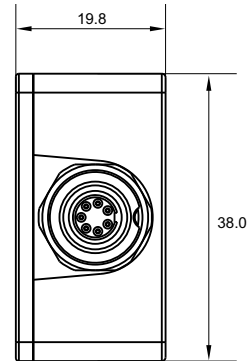
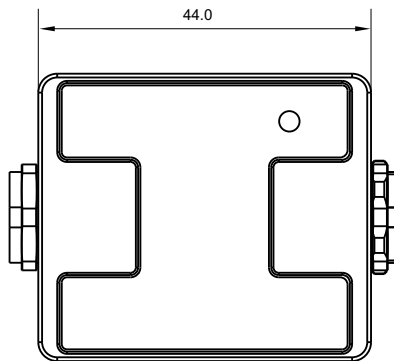
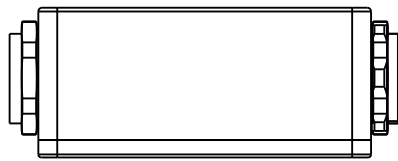
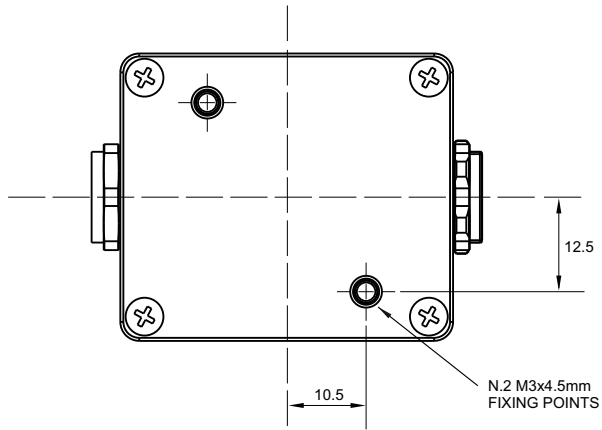




# AiM ACC

Analog CAN Converter



Measurements in mm



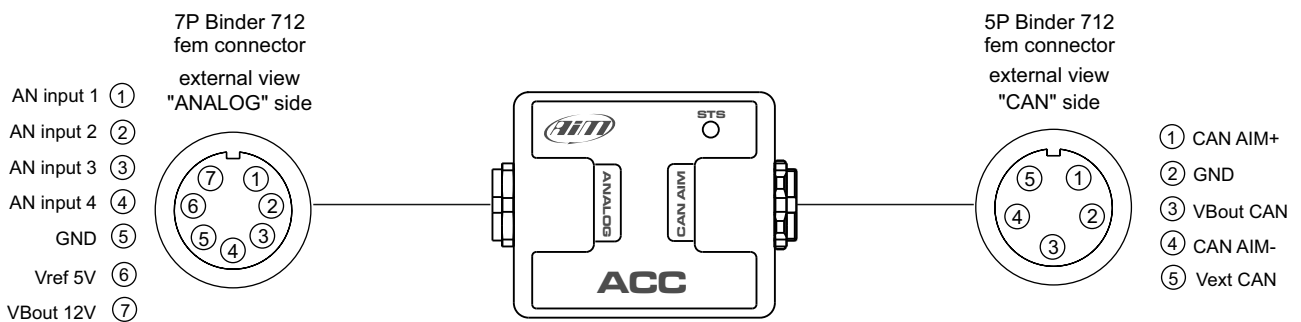
# AiM ACC

## Analog CAN Converter

### Technical specifications

<b>Analog channels</b>	4 channels, 0÷5 V, 12 bit A/D, 200 Hz each
<b>External power</b>	9÷15 V Full operation
<b>Connection</b>	CAN
<b>Connectors</b>	2 Binder 712 fem connectors
<b>Material</b>	PA6 30% glass
<b>Dimensions</b>	44.0 x 38.0 x 19.8 mm
<b>Weight</b>	50 g
<b>Waterproof</b>	IP65

### Pinout





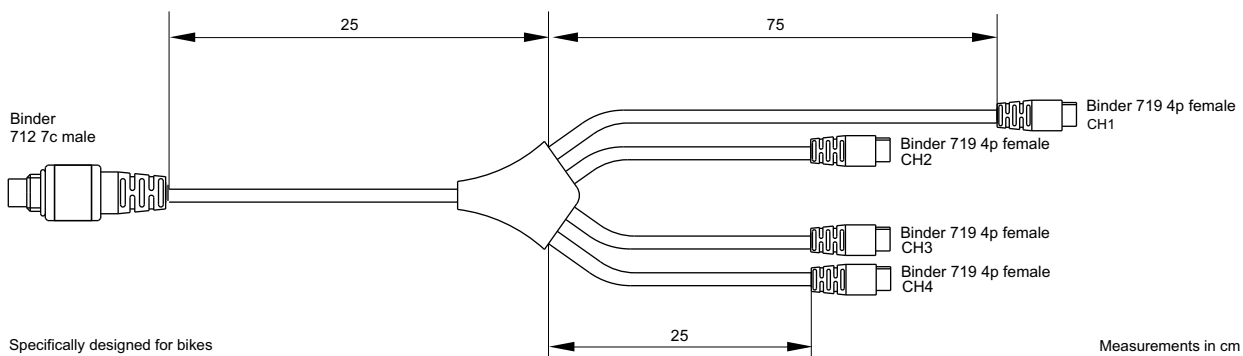
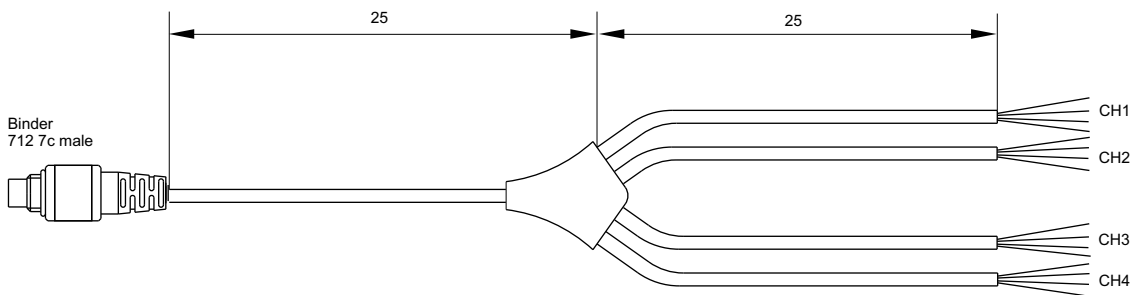
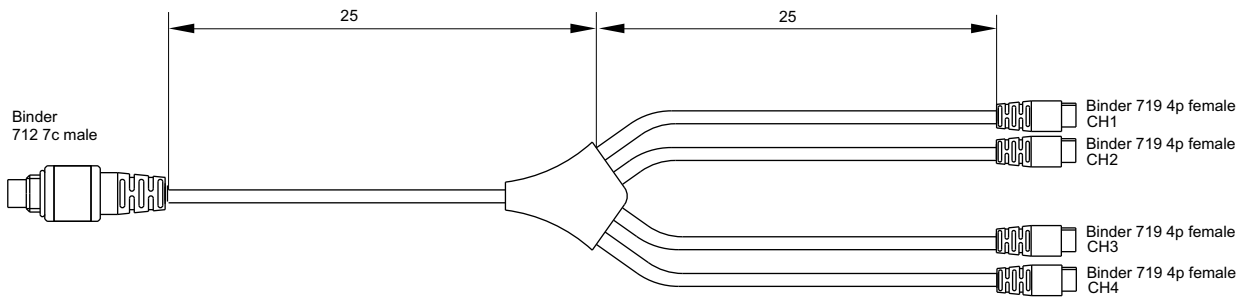
# AiM ACC

## Analog CAN Converter

### Available kits

- X08ACC01A4P050** ACC + 4 channels harness Plastic Binder (4 cables 50 cm) + CAN cable 50 cm
- X08ACC01A4F050** ACC + 4 channels harness Free Wires (4 cables 50 cm) + CAN cable 50 cm
- X08ACC01B4P050** ACC + 4 channels harness Plastic Binder (1 cable 1 m, 3 cables 50 cm) + CAN cable 50 cm
- X08ACC01A4P100** ACC + 4 channels harness Plastic Binder (4 cables 50 cm) + CAN cable 1 m
- X08ACC01A4F100** ACC + 4 channels harness Free Wires (4 cables 50 cm) + CAN cable 1 m
- X08ACC01B4P100** ACC + 4 channels harness Plastic Binder (1 cable 1 m, 3 cables 50 cm) + CAN cable 1 m

### Harnesses





# AiM ACC

## Analog CAN Converter

### Connections

