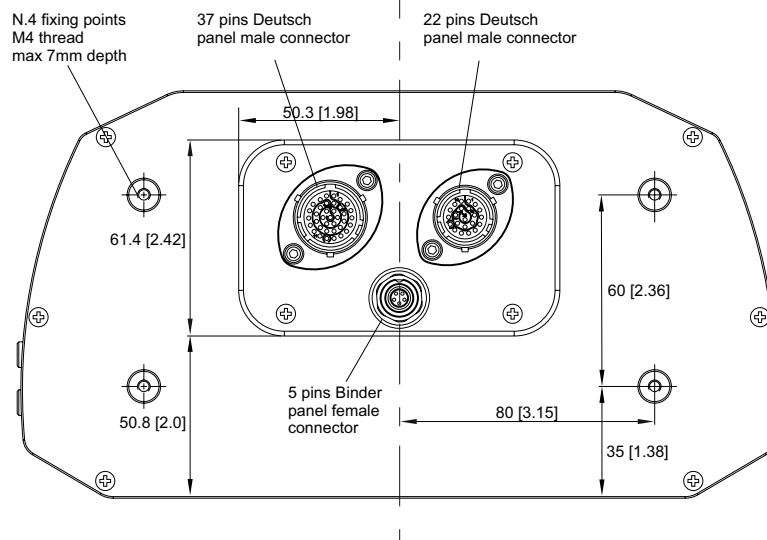
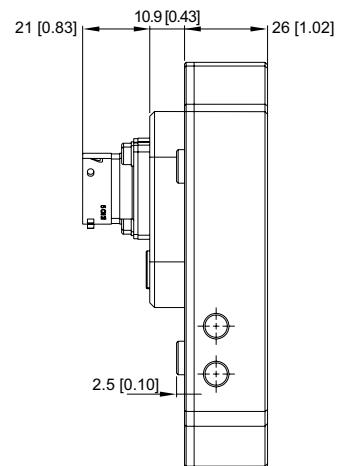
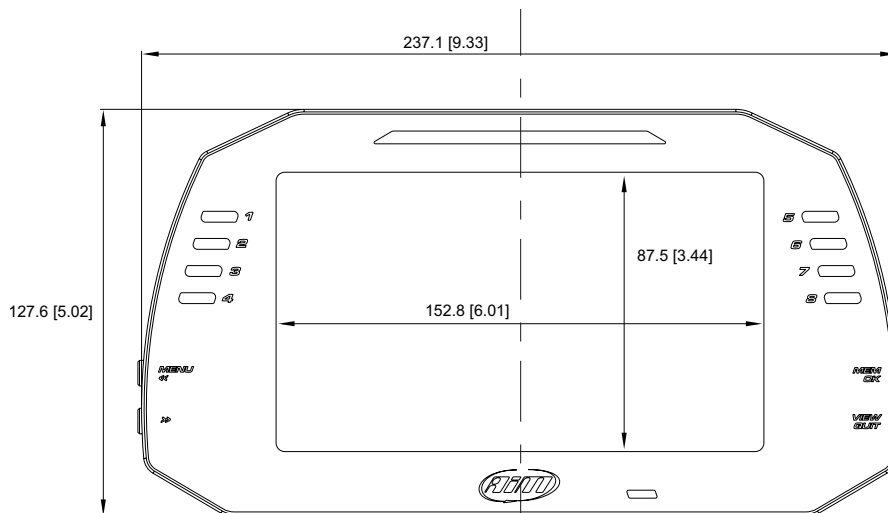
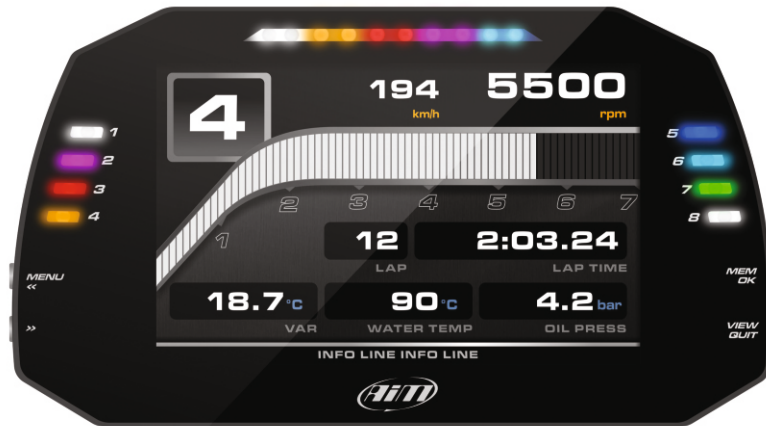




AiM MXG 1.3

Dash logger





AiM MXG 1.3

Dash logger

Technical specifications

Display	7" TFT
Resolution	800x480 pixels
Contrast	1,000:1
Brightness	700cd/m2 - 1,100 Lumen
Ambient light sensor	Yes
Alarm display icons	Yes, freely configurable
Alarm LEDs	8 configurable RGB LEDs
Shift Lights	10 configurable RGB LEDs
CAN connections	3
ECU connection	CAN, RS232 or K-Line to 2,000+ industry leading ECUs
External modules	GPS09c, Channel Expansion, TC Hub (necessary to connect thermocouple sensors), Lambda Controller, SmartyCam 3 Series
Inertial platform	Internal 3 axis $\pm 5G$ accelerometer + 3 axis gyro max 100 Hz
Analog/digital inputs	8 fully configurable, max 500 Hz each
Digital inputs	4 Speed inputs, lap signal, coil RPM input
Digital outputs	2 (1 A max each)
Second CAN	Yes
Wi-Fi connection	Yes
Internal memory	4 GB
Body	Anodized Aluminum
Pushbuttons	Metallic
Connectors	2 Motorsport connectors + 1 Binder connector
Dimensions	237x127.6x26 mm
Weight	950 g
Power consumption	400 mA
Waterproof	IP67



AiM MXG 1.3

Dash logger

In the box

MXG 1.3, GPS Module with cable, USB cable, 37 pins standard harness, Race Studio 3 software

Part numbers

XA4MXG12A13001	MXG 1.3 + GPS09c with 1.3 m cable length
XA4MXG12A40001	MXG 1.3 + GPS09c with 4 m cable length
XA4MXG12A20R01	MXG 1.3 + GPS09c Roof version with 2 m cable length
XA4MXG12A40R01	MXG 1.3 + GPS09c Roof version with 4 m cable length

Spare parts

V02573010	37 pins standard harness
X40GPS08AM0130	GPS09c with 1.3 m cable length
X40GPS08AM0400	GPS09c with 4 m cable length
V02573200	USB adapter
X90TMPC002	USB cable

Optionals

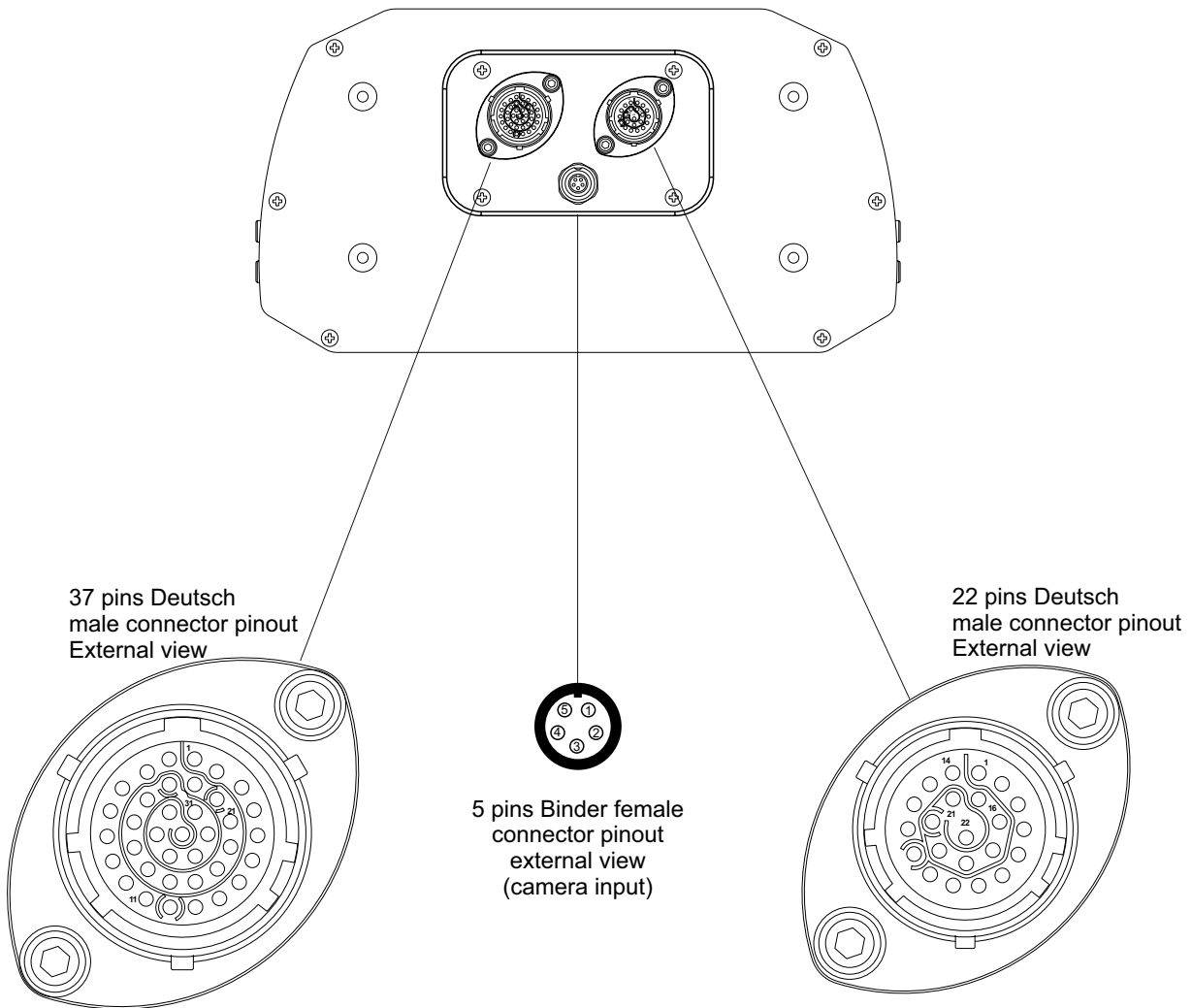
V02573020	22 pins harness
5CN822F00	22 pin female Deutsch connector
5CN837F00	37 pin female Deutsch connector



AiM MXG 1.3

Dash logger

Pinout



Pin	Deutsch 37 pin
1	9-15V Power input
2	Battery GND
3	CAN+ Exp
4	GND
5	+Vbattery CAN
6	CAN- Exp
7	+Vb Ext
8	CAN1+ ECU
9	CAN 1- ECU
10	GND
11	K Line ECU
12	USB D+
13	USB D-
14	GND
15	RPM
16	GND
17	+Vbattery
18	Optical Lap
19	Speed1

Pin	Deutsch 37 pin
20	GND
21	+Vbattery
22	Analog Input 1
23	Analog GND
24	+Vbattery
25	+Vreference
26	Analog Input 2
27	Analog GND
28	+Vbattery
29	+Vreference
30	Analog Input 3
31	Analog GND
32	+Vbattery
33	+Vreference
34	Analog Input 4
35	Analog GND
36	+Vbattery
37	+Vreference

Pin	Binder
1	Video input 1
2	GND
3	+Vb output Camera
4	GND
5	Video input 2

Pin	Deutsch 22 pin
1	Analog Input 5
2	Analog GND
3	+Vbattery
4	+Vreference
5	Analog Input 6
6	Analog Input 7
7	Analog GND
8	+Vbattery
9	+Vreference
10	Analog Input 8
11	Speed 2
12	GND
13	+Vbattery
14	Speed 3
15	Speed 4
16	GND
17	CAN2+ ECU
18	CAN2- ECU
19	Digital output 1
20	Digital output 2
21	ECU RS232 Rx
22	ECU RS232 Tx