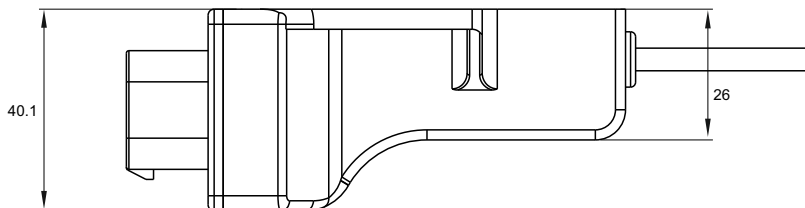
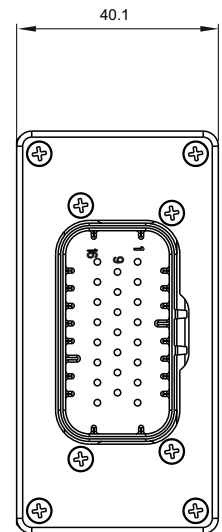
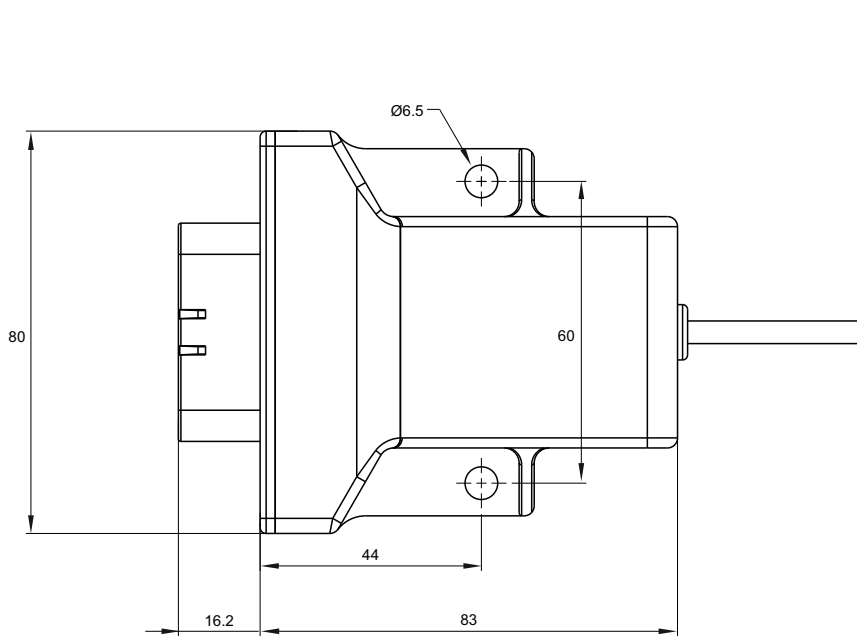




# AiM RIO02

Remote Input/Output Module





# AiM RIO02

## Remote Input/Output Module

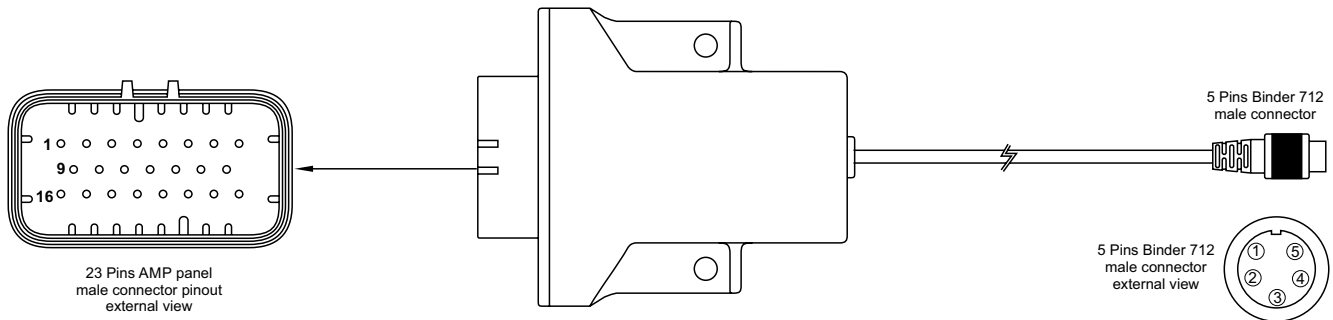
### Technical specifications

<b>CAN connections</b>	1
<b>Inputs</b>	19 of which: <ul style="list-style-type: none"> <li>■ 8 prog: Switch to Batt, Switch to ground</li> <li>■ 11 Switch to Ground</li> </ul>
<b>Dig outs</b>	2 Low Side 2 A Max
<b>Body</b>	Plastic
<b>Connectors</b>	1 AMP 776087-1 connector
<b>Dimensions</b>	99.2 x 80 x 40.1 mm
<b>Weight</b>	120 g

### Part number

<b>X08EXMRIO020</b>	RIO02
---------------------	-------

### Pinout



Pin	Name	Function
1	GND	Battery GND
2	LS0	Low side output (Max 2A)
3	LS1	Low side output (Max 2A)
4	SW0	Input programmable switch (to Battery or to GND)
5	SW1	Input programmable switch (to Battery or to GND)
6	SW2	Input programmable switch (to Battery or to GND)
7	SW3	Input programmable switch (to Battery or to GND)
8	SW4	Input programmable switch (to Battery or to GND)
9	SW5	Input programmable switch (to Battery or to GND)
10	SW6	Input programmable switch (to Battery or to GND)
11	SW7	Input programmable switch (to Battery or to GND)
12	SW8	Input switch (to GND)
13	SW9	Input switch (to GND)
14	IO1	Input switch (to GND)
15	IO2	Input switch (to GND)
16	IO3	Input switch (to GND)
17	IO4	Input switch (to GND)
18	IO5	Input switch (to GND)
19	IO6	Input switch (to GND)
20	IO7	Input switch (to GND)
21	IO8	Input switch (to GND)
22	IO9	Input switch (to GND)
23	Vb ext	9-15 Power input

Pin	Function
1	AiM CAN+
2	GND
3	+Vb
4	AiM can-
5	+Vb Ext