

AIM Infotech

EVO4/EVO4S and SoloDL kit  
for Ducati Hypermotard 796  
2009-2011

Release 1.03

---



KIT



# 1

## Supported models and years

---

This tutorial describes how to connect AiM SoloDL, EVO4 and EVO4S to your Ducati bike; supported models and years are:

- Ducati Hypermotard 796 2009-2011

**Warning:** for these models/years AiM recommends not to remove the stock dash. Doing so will disable some of the bike functions or safety controls. AiM Tech srl will not be held responsible for any consequences that may result from the replacement of the original instrumentation cluster.

# 2

## SoloDL, EVO4 and EVO4S connection kit

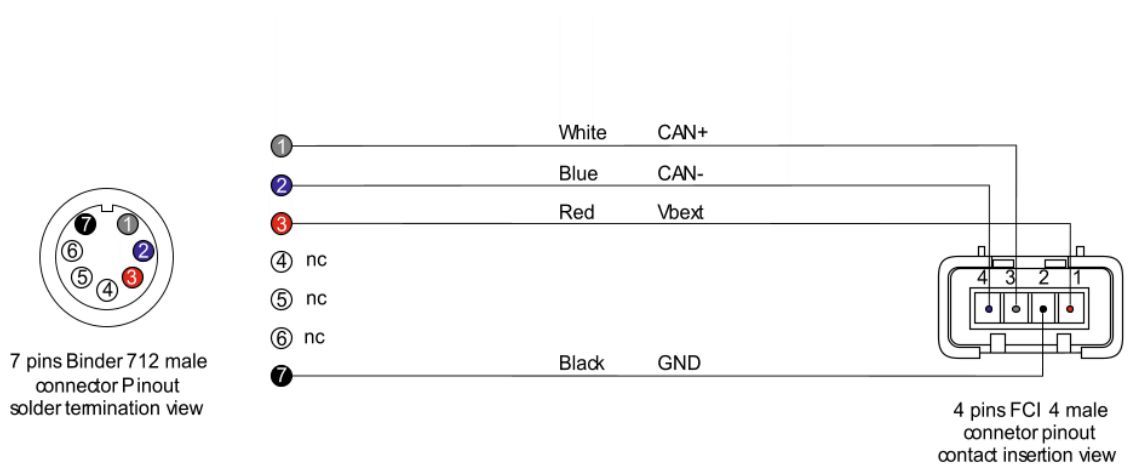
---

AiM designed and developed proper connection kits for SoloDL, EVO4 and EVO4S.

SoloDL and EVO4S connection kit part number is: **V02569170**.



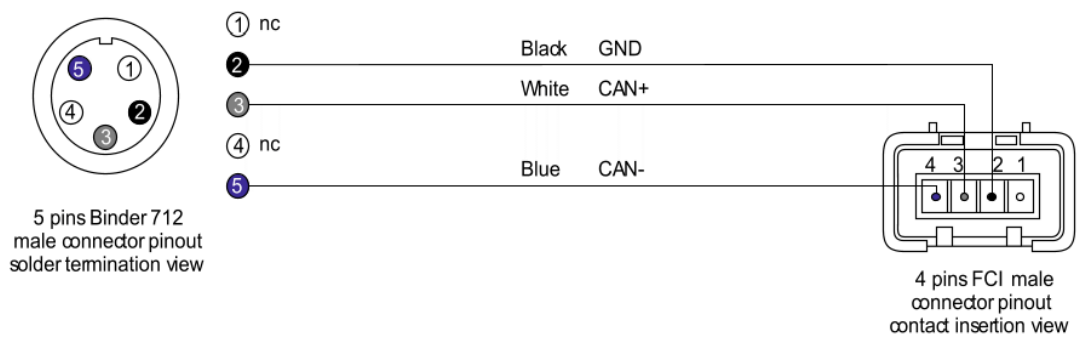
Here below is the cable construction scheme.



EVO4 connection kit part number is: **V02563150**.



Here below is the cable construction scheme.



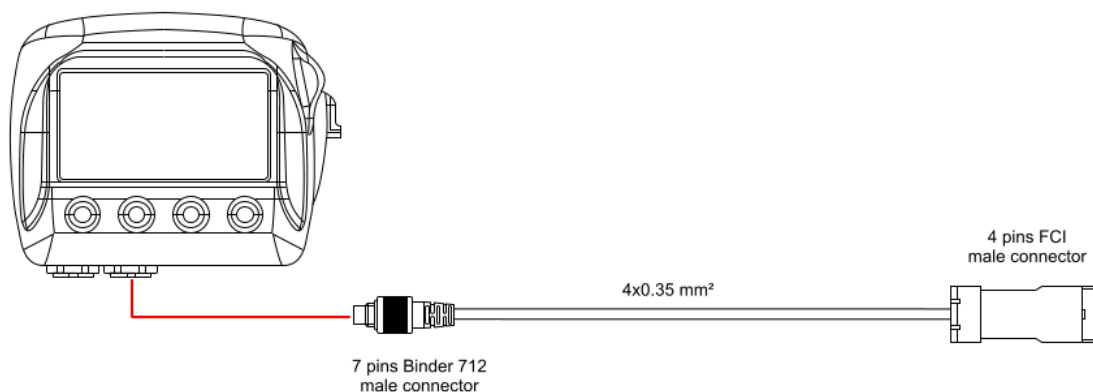
## 3 CAN bus connection

Ducati Hypermotard features a bus communication protocol based on CAN on the FCI connector placed under the bike seat and shown here on the right.



### 3.1 Connecting SoloDL

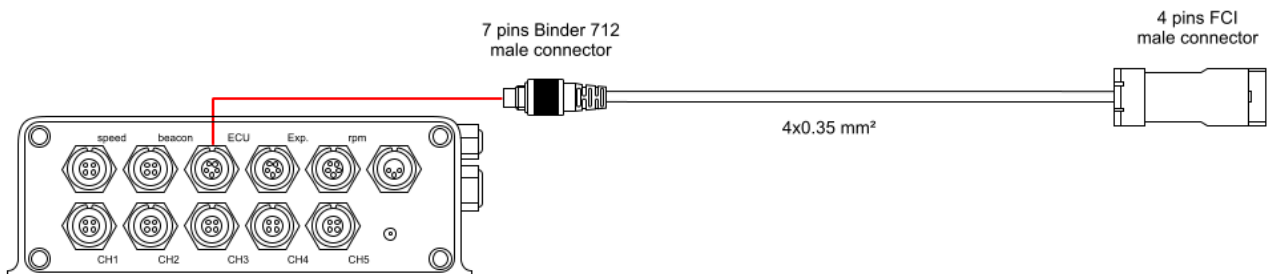
To connect SoloDL to Ducati Hypermotard 796 plug AiM connection kit (**V02569170**) in the seven pins right Binder female connector placed under the logger as shown here below.



## 3.2 Connecting EVO4

---

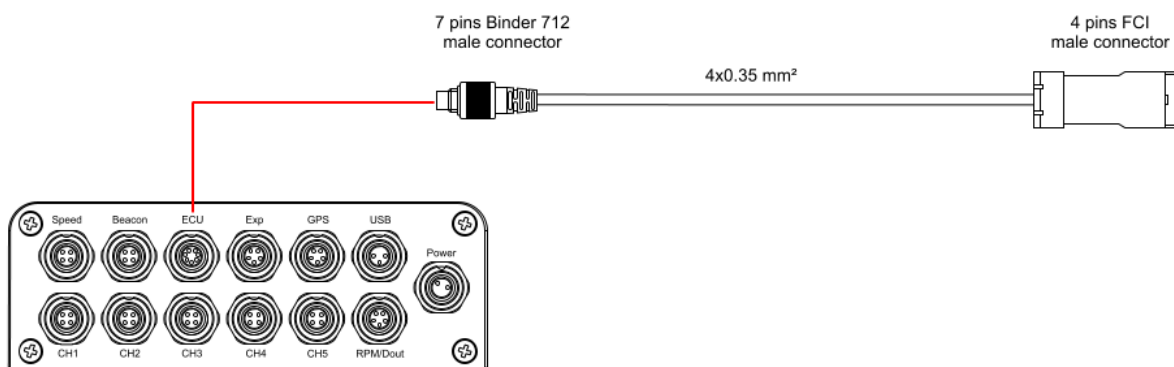
To connect EVO4 to Ducati Hypermotard 796 plug AiM connection kit (**V02563150**) in EVO4 ECU connector as shown here below.



## 3.3 Connecting EVO4S

---

To connect EVO4S to Ducati Hypermotard 796 plug AiM connection kit (**V02569170**) in the seven pins Binder female connector labelled "ECU" on the logger front as shown here below.



## 4

# Configuration with Race Studio 2

---

Before connecting the bike ECU to EVO4/SoloDL set these up using AiM Race Studio software. The parameters to select in the logger configuration are:

- ECU manufacturer "Ducati"
- ECU Model "Hypermotard";

## 5

# "Ducati" "Hypermotard" protocol

---

Channels received by AIM logger connected to "Ducati" "Hypermotard" protocol are:

ID	CHANNEL NAME	FUNCTION
ECU_1	HY_RPM	RPM
ECU_2	HY_SPEED	Vehicle speed
ECU_3	HY_THRT2	Throttle position sensor 1
ECU_4	HY_THRT1	Throttle position sensor 2
ECU_5	HY_ENGT	Engine temperature
ECU_6	HY_IAT	Intake air temperature
ECU_7	HY_VBATT	Battery supply
ECU_8	HY_GEAR	Engaged gear
ECU_9	HY_OIL_LAMP	Oil alarm

**Technical note:** not all data channels outlined in the ECU template are validated for each manufacturer model or variant; some of the outlined channels are model and year specific, and therefore may not be applicable.