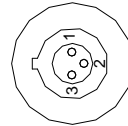
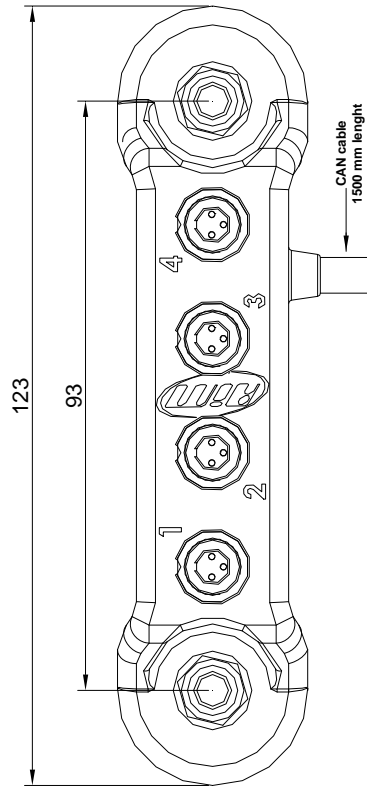



N. rev. / Rev. N.	Descrizione / Description	Data / Date	Firma / Signature	Contr. da / Ckd. by
-------------------	---------------------------	-------------	-------------------	---------------------

TC Hub pinout



3 pins female
Binder connector pinout

Position 1			Position 2			Position 3			Position 4		
1	Temperature Channel 1	1	Temperature Channel 2	1	Temperature Channel 3	1	Temperature Channel 4	1	Temperature Channel 4	1	Temperature Channel 4
2	GND	2	GND	2	GND	2	GND	2	GND	2	GND
3	n.c.	3	n.c.	3	n.c.	3	n.c.	3	n.c.	3	n.c.

Rif. / Ref.	Q.tà/Q.ty	Material / Material	N. articolo / Item N.		
Progettato da / Designed by	Contr. da / Ckd. by	Approvato da / Approved by	Nome file / File name	Data / Date	Scala / Scale
		Titolo / Title			
		<p style="text-align: center;">Pinout TC Hub</p>			Rev. / Rev.
N. disegno / Drawing N.					1 of 1