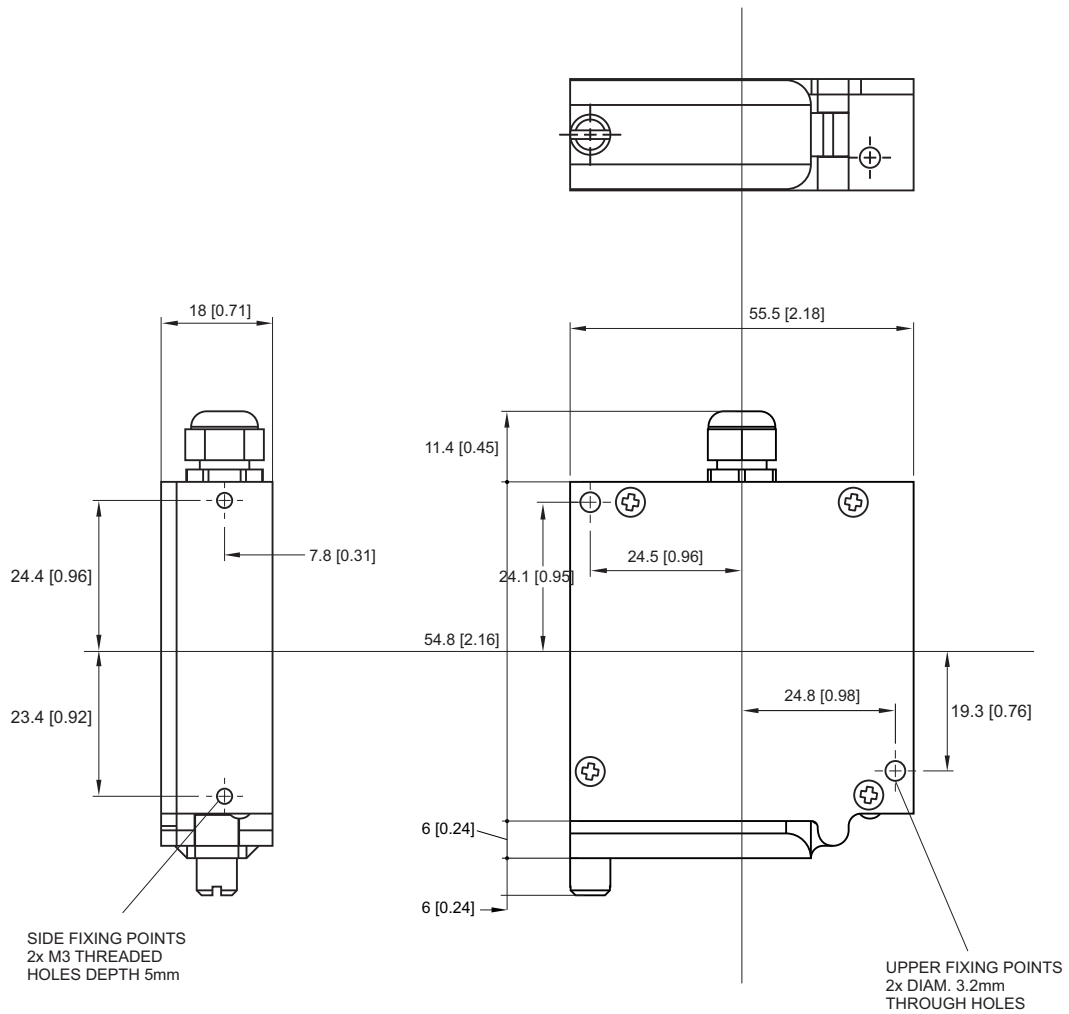




# Strada Kit

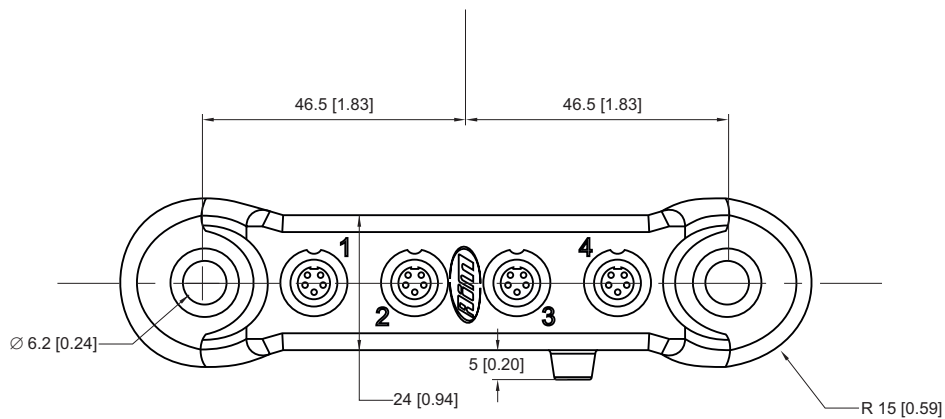
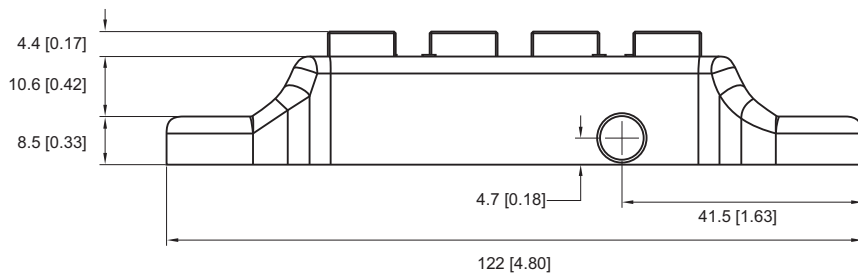
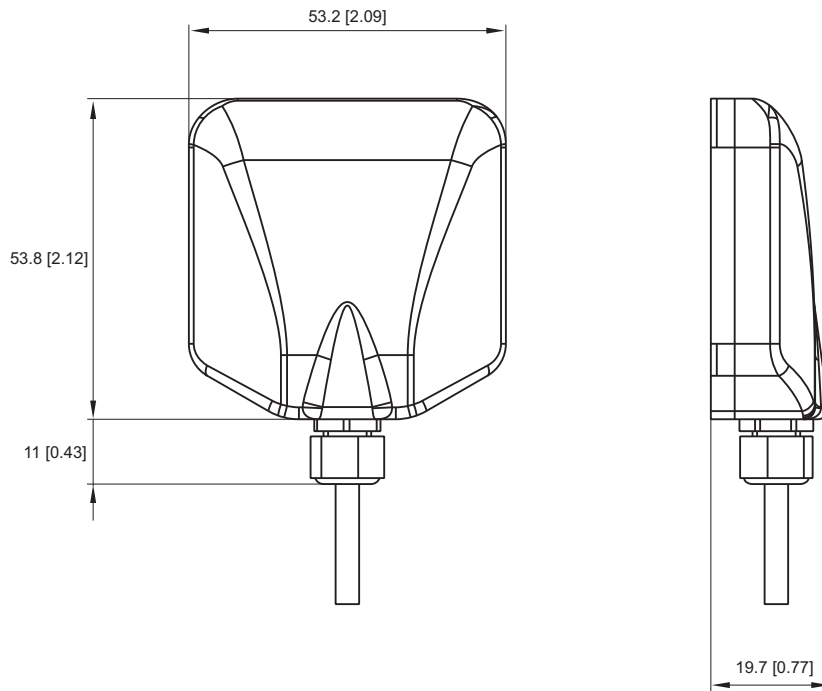
Strada Logger + GPS08 Module + Data Hub





# Strada Kit

Strada Logger + GPS08 Module + Data Hub





# Strada Kit

Strada Logger + GPS08 Module + Data Hub

## Strada Logger technical specifications

<b>Max power consumption</b>	50 mA
<b>Cable length</b>	20/40 cm
<b>SD Card</b>	Supports up to 32 GB
<b>Dimensions</b>	55.5 x 78.2 x 18 mm
<b>Weight</b>	103 g
<b>Waterproof</b>	IP65

## Four ways Data Hub technical specifications

<b>CAN cable length</b>	40 cm
<b>Dimensions</b>	122x30.2x23.5 mm
<b>Weight</b>	97 g
<b>Waterproof</b>	IP65

## GPS08 Module

<b>Dimensions</b>	64.8x53.2x19.7 mm
<b>Weight</b>	60.5 g

## In the box

Strada Logger, GPS08 Module, Data Hub

## Part numbers

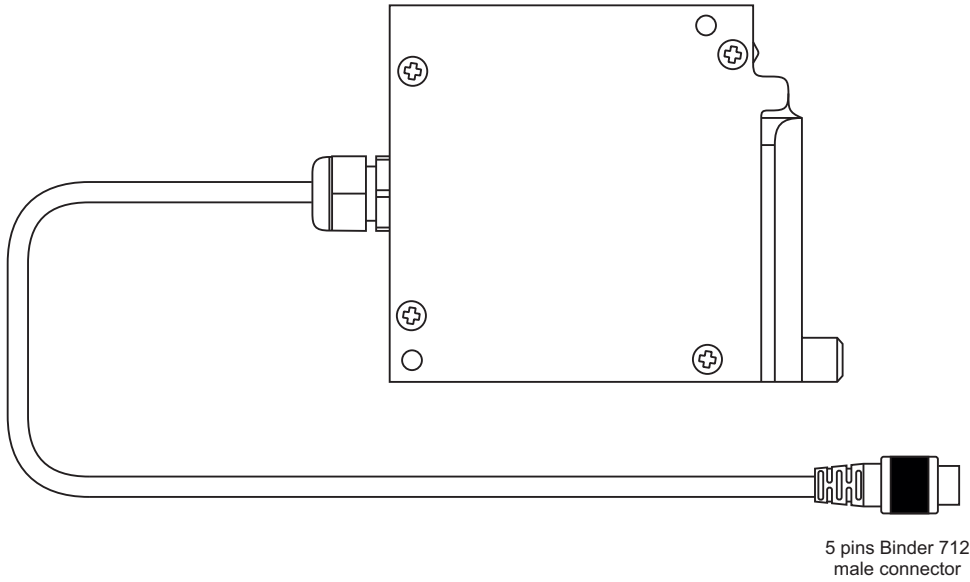
<b>X08MMD04G13DH04</b>	Strada Logger 40 cm, GPS08 Module 1,3 m, Data Hub 40 cm
<b>X08MMD04G2DH04</b>	Strada Logger 40 cm, GPS08 Module 2 m, Data Hub 40 cm
<b>X08MMD04G4DH04</b>	Strada Logger 40 cm, GPS08 Module 4 m, Data Hub 40 cm
<b>X08MMD040SL</b>	Strada Logger
<b>X08DHUB010</b>	Four ways Data Hub
<b>X40GPS08AM0130</b>	GPS08 with 1,3 m cable
<b>X40GPS08AM0200</b>	GPS08 with 2 m cable
<b>X40GPS08AM0400</b>	GPS08 with 4 m cable



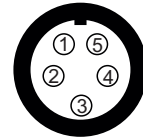
# Strada Kit

Strada Logger + GPS08 Module + Data Hub

## Strada Logger pinout



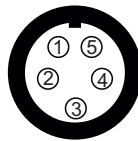
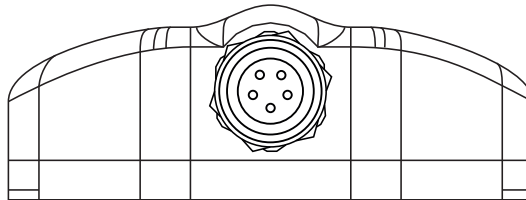
5 pins Binder 712 male connector



5 pins Binder 712 male connector front view

- 1 - CAN High
- 2 - GND
- 3 - +Vb
- 4 - CAN Low
- 5 - nc

## GPS08 Module pinout



5 pins Binder 712 male connector front view

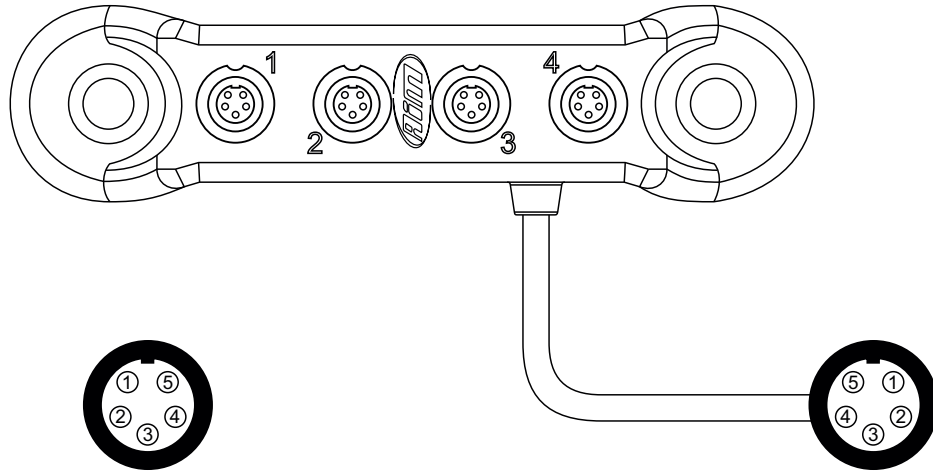
- 1 - CAN High
- 2 - GND
- 3 - +Vb
- 4 - CAN Low
- 5 - nc



# Strada Kit

Strada Logger + GPS08 Module + Data Hub

## Data Hub pinout



5 pins Binder 712  
female connector pinout  
solder termination view

5 pins Binder 712  
male connector pinout  
solder termination view

<b>Positions 1-4</b> 5 pins Binder 712 female connector pinout
1 - CAN+ 2 - GND 3 - +Vb 4 - CAN- 5 - +Vbext

5 pins Binder 712 male connector pinout
1 - CAN+ 2 - GND 3 - +Vb 4 - CAN- 5 - +Vbext