

# AiM user guide

Solo2 DL and EVO4S kit  
for Yamaha YZF-R1/R1M  
2015-2019 and YZF-R6  
2017-2020

Release 1.01

---



KIT





# 1

## Supported models and years

---

This user guide explains how to connect AiM Solo 2 DL and EVO4S to Yamaha bikes.

Supported models and years are:

- Yamaha YZF-R1 (YEC included) 2015-2019
- Yamaha YZF-R1M (YEC included) 2015-2019
- Yamaha YZF-R6 2017-2020

**Warning:** for this models/years AiM recommends not to remove the stock dash. Doing so will disable some of the bike functions or safety controls. AiM Tech srl will not be held responsible for any consequence that may result from the replacement of the original instrumentation cluster.

## 2

### Kit content and part number

---

AiM developed a specific installation bracket Solo 2/Solo 2 DL and specific connection cables for Solo 2 DL and EVO4S.

#### 2.1

#### Bracket for Solo 2/Solo 2 DL

---

Solo 2 DL installation bracket kit – shown here below – part number is: **X46KSYR115**.



The kit includes:

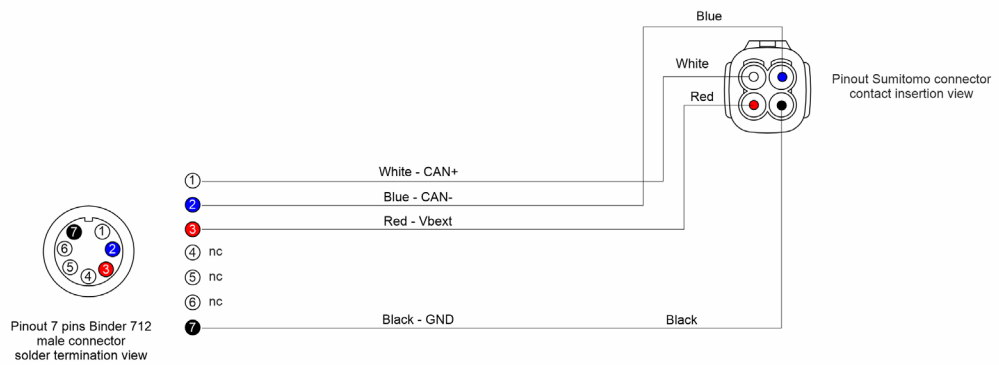
- 1 bracket (1)
- 1 rubber rawl nut (2)
- 1 M6 screw (3)
- 1 rubber washer (4)
- 2 M4x10 screws (5)

## 2.2 AiM cable for Solo 2 DL

Solo 2 DL cable for part number is: **V02569340**



The image below shows the cable construction scheme.



## 2.3

### AiM kit for Solo 2 DL (CAN cable + bracket)

---

Connection cable and installation bracket for Solo 2 DL can also be bought together with part number: **V0256934CS**.

## 2.4

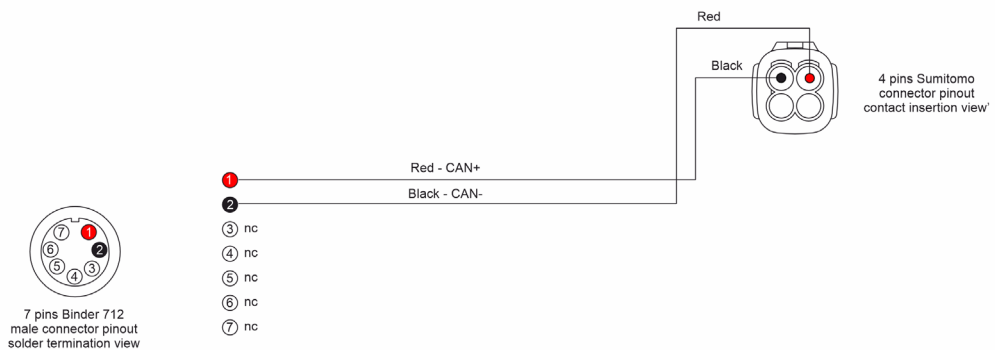
### AiM cable for EVO4S

---

AiM CAN cable for EVO4S for Yamaha bikes – shown below – part number is: **V02585150**



The image below shows the cable construction scheme.

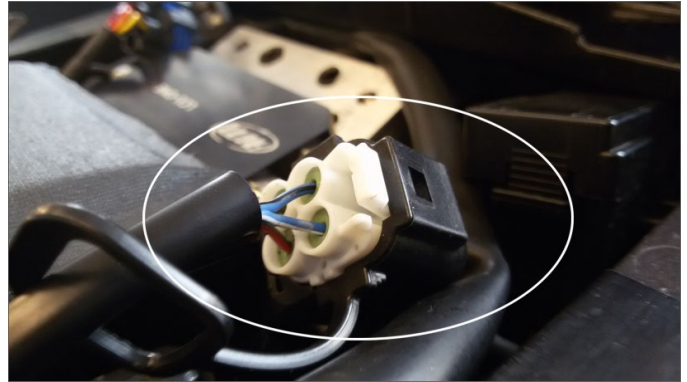


### 3

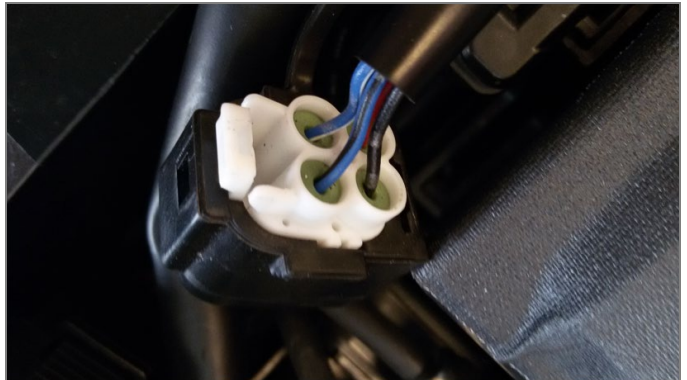
## Solo 2 DL and EVO4S connection

---

Yamaha bikes communicate using the CAN Bus that can be reached on the Sumitomo connector placed under the bike seat and shown here on the right.



The image on the right shows Sumitomo connector cables in detail.



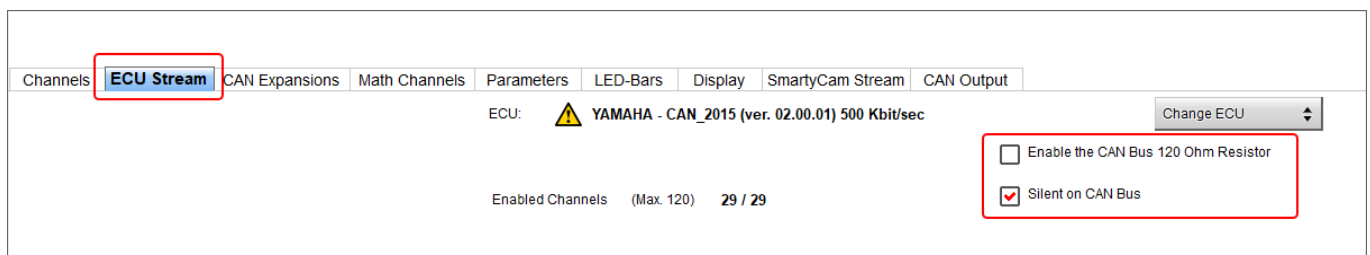
## 4 RaceStudio 3 configuration

---

Before connecting AiM devices to the bike ECU set all functions using AiM RaceStudio 3 software. The parameters to select in the device configuration are:

- ECU Manufacturer: **"Yamaha"**
- ECU Model: **"CAN\_2015"** (RaceStudio 3 only)

After this first selection check "Silent mode on CAN Bus" checkbox in the device configuration ("ECU Stream" tab) as shown here below.



## 5

# “Yamaha – CAN\_2015” protocol

---

Channels received by AiM devices connected to "Yamaha – CAN\_2015" protocol are:

<b>CHANNEL NAME</b>	<b>FUNCTION</b>
ECU W SPD F	Front wheel speed
ECU W SPD R	Rear wheel speed
ECU RPM	RPM
TCS MODE	Traction control mode
ECU GEAR	Gear
ECU GEAR RAW	Gear raw value
ECU POW MODE	Power mode
ECU THROTTLE	Throttle position sensor
ECU TPS HAND	Throttle Handgrip
ECU LIFT SET	Lift control set
ECU LAUNCH SET	Launch control set
ECU SCS SET	Slide control system set
ECU QSS SET	Quick shift set
ECU R ABS IN	Rear ABS intervention
ECU F ABS IN	Front ABS intervention
ECU LAUNCH IN	Launch control intervention
ECU LIFT IN	Lift control intervention
ECU SCS IN	Slide control system intervention
ECU TCS IN	Traction control system intervention
ECU MAP SEL	Map selection
ECU ECT	Engine coolant temperature
ECU AAT	Ambient air temperature
ECU ACCX	Accelerometer X
ECU ACCY	Accelerometer Y





ECU GYRO	Gyroscopes
ECU BRK F REQ	Front brake pressure request
ECU BRK R REQ	Rear brake pressure request
ECU BRKP F	Front brake pressure actuated
ECU BRKP R	Rear brake pressure actuated

**Technical note:** not all data channels outlined in the ECU template are validated for each manufacturer model or variant; some of the outlined channels are model and year specific, and therefore may not be applicable.