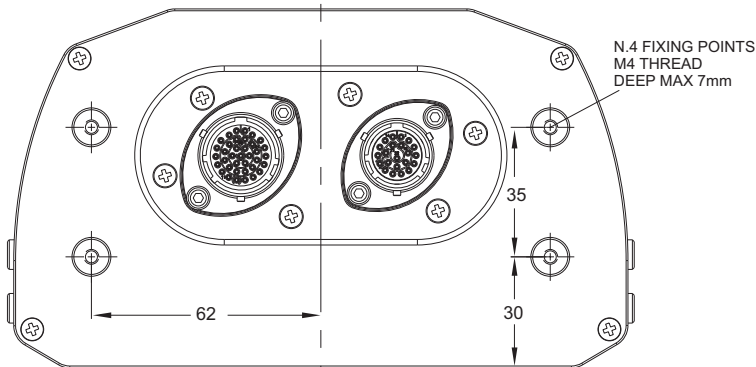
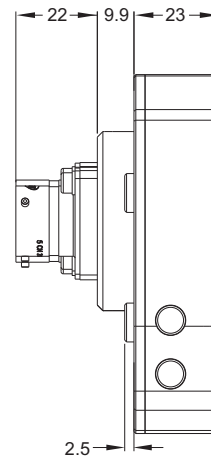
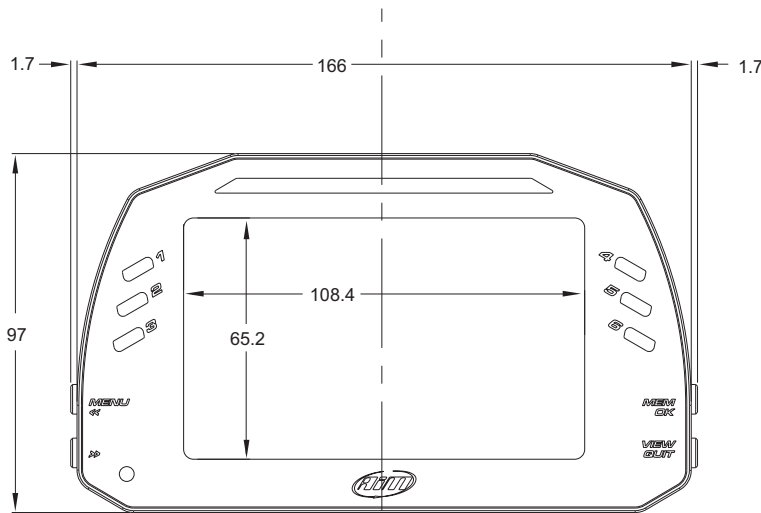
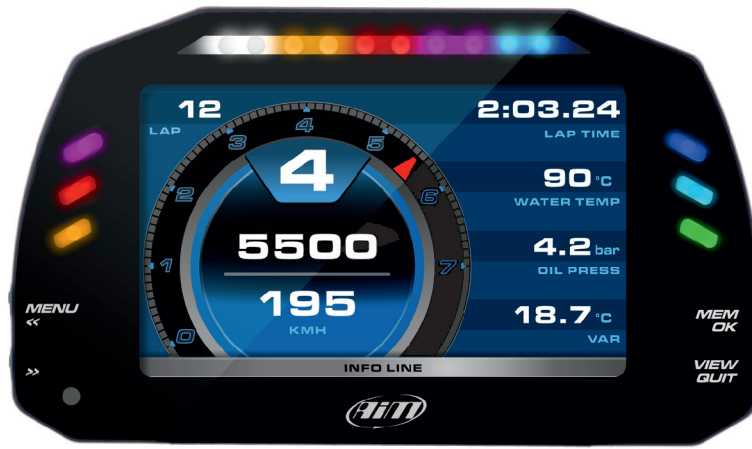




AiM MXS

Dash logger





AiM MXS

Dash logger

Technical specifications

Display	5" TFT
Resolution	800x480 pixels
Contrast	600:1
Brightness	700cd/m2 - 1,100 Lumen
Ambient light sensor	Yes
Alarm LEDs	6 configurable RGB LEDs
Shift Lights	10 configurable RGB LEDs
CAN connections	3
ECU connection	CAN, RS232 or K-Line to 1,000+ industry leading ECUs
External modules	GPS Module, Channel Expansion, Thermocouple Expansion, Lambda Controller, SmartyCam HD
Analog inputs	8 fully configurable, max 1,000 Hz each
Digital inputs	4 Speed inputs, lap signal, coil RPM input
Digital outputs	2 (1 Amp max each)
Second CAN	Yes
WiFi connection	Yes
Inertial platform	Internal 3 axis $\pm 5G$ accelerometer + 3 axis gyro
Internal memory	4 GB
Body	Anodized Aluminum
Pushbuttons	Metallic
Connectors	2 Motorsport connectors
Dimensions	169.4 x 97 x 23 mm
Weight	530 g
Power consumption	400 mA
Waterproof	IP65



AiM MXS

Dash logger

In the box

MXS, GPS Module with cable, USB cable, 37 pins standard harness, Race Studio 3 software

Part numbers

X21MXSGPS130	MXS + GPS Module with 1.30 m cable length
X21MXSGPS400	MXS + GPS Module with 4.00 m cable length

Spare parts

V02573010	37 pins standard harness
X40GPS5B130	GPS Module with 1.30 m cable length
X40GPS5B400	GPS Module with 4.00 m cable length
V02573030	USB adapter
X90TMPC002	USB cable

Optionals

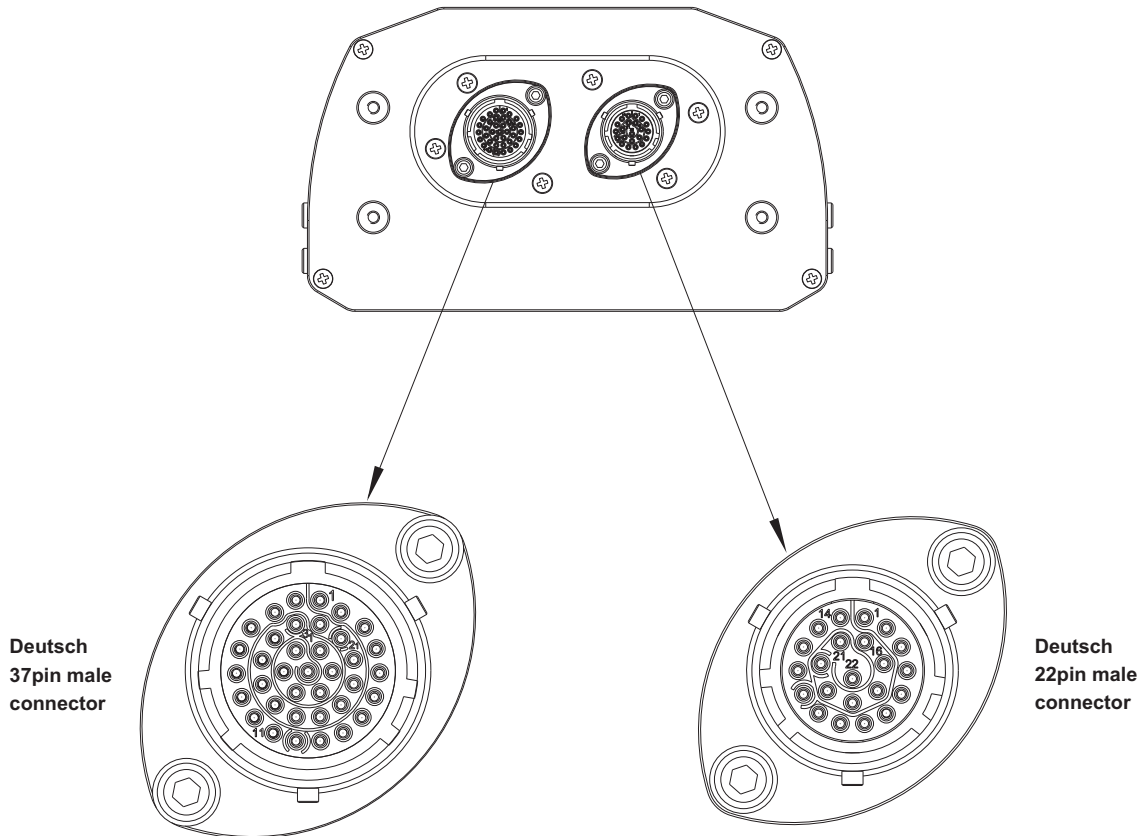
V02573020	22 pins harness
V02573080	22 pins harness with 1 thermocouple
V02573160	22 pins harness with 2 thermocouples
V02573040	37 pins harness with 1 thermocouple
V02573050	37 pins harness with 2 thermocouples
5CN822F00	22 pin female Deutsch connector
5CN837F00	37 pin female Deutsch connector



AiM MXS

Dash logger

Pinout



Deutsch
37pin male
connector

Deutsch
22pin male
connector

37 pins Deutsch connector pin	Pin function
1	9-15V Power input
2	Battery GND
3	CAN+ Exp
4	GND
5	+Vbattery CAN
6	CAN- Exp
7	+Vbext
8	CAN1+ ECU
9	CAN1- ECU
10	K-Line GND
11	K-Line ECU
12	USB D+
13	USB D-
14	GND
15	RPM
16	GND
17	+Vbattery
18	Optical Lap
19	Speed
20	GND
21	+Vbattery
22	Analog Input 1
23	Analog GND
24	+Vbattery
25	+Vreference
26	Analog Input 2
27	Analog GND
28	+Vbattery
29	+Vreference
30	Analog Input 3
31	Analog GND
32	+Vbattery
33	+Vreference
34	Analog Input 4
35	Analog GND
36	+Vbattery
37	+Vreference

22 pins Deutsch connector pin	Pin function
1	Analog Input 5
2	Analog GND
3	+Vbattery
4	+Vreference
5	Analog Input 6
6	Analog Input 7
7	Analog GND
8	+Vbattery
9	+Vreference
10	Analog Input 8
11	Speed 2
12	GND
13	+Vbattery
14	Speed3
15	Speed4
16	GND
17	CAN2+ ECU
18	CAN2- ECU
19	Digital output 1
20	Digital output 2
21	RS232TX
22	RS232RX



AiM MXS

Dash logger

Product history

Rev	From serial number	Date	Changes
Rev04	4501318	Jul, 17th 2017	<ul style="list-style-type: none">▪ TFT Display: to prevent breakage of the flat cable connection of the display, mounted two pieces of neoprene adhesive between the motherboard and the display
Rev03	4501273	May, 3rd 2017	<ul style="list-style-type: none">▪ PXL-20F: new connectors interface board▪ Integrated modifications of the PXL-20E
Rev02	4501124	Apr, 11th 2017	<ul style="list-style-type: none">▪ MXS-01B: main board<ul style="list-style-type: none">▪ Added correct reading battery voltage value▪ PXL20E: connectors interface board<ul style="list-style-type: none">▪ HW modified to work with MXS-01B
Rev01	4500888	Dec, 1st 2016	<ul style="list-style-type: none">▪ PXL20E: connectors interface board<ul style="list-style-type: none">▪ Added anti crank power stage▪ Added overvoltage protections on analog inputs▪ Back mechanical part 05.573.08 rev1, necessary because the new board PLX20E has bigger components